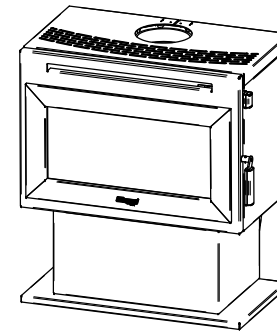
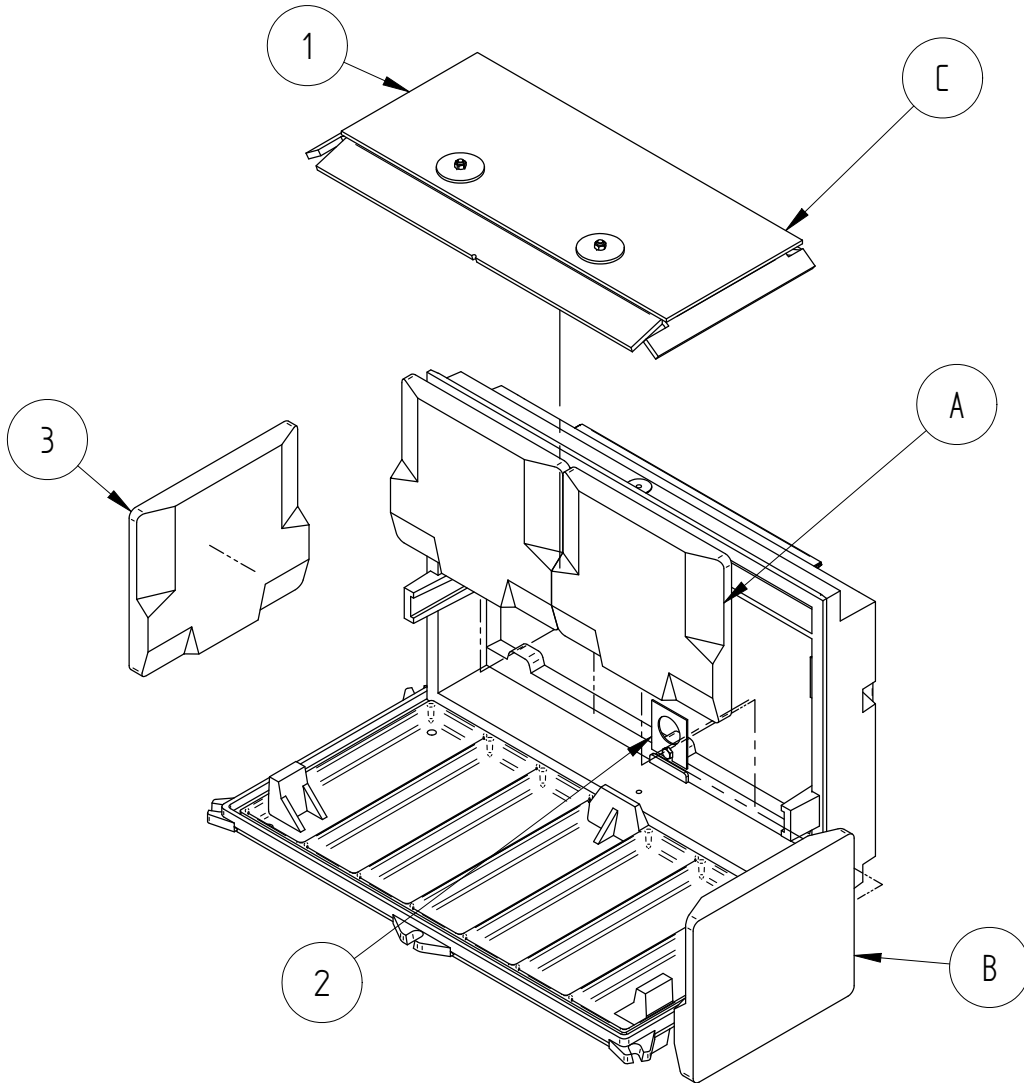
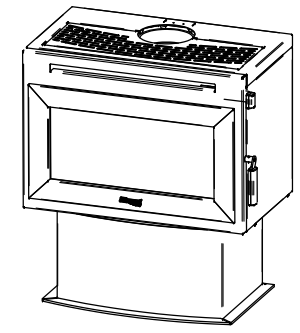


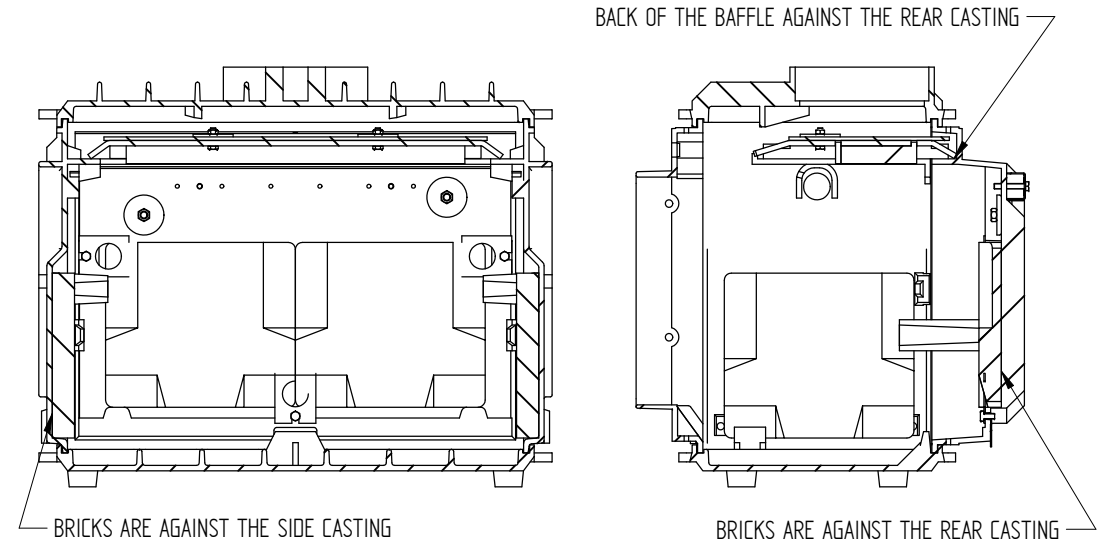
**F3000 BRICK INSTALLATION SEQUENCE –  
 MAKE SURE THE FLAT SIDE OF THE BRICKS AGAINST THE WALL OF THE FIREBOX.  
 (A) PLACE TWO BRICKS AGAINST THE REAR WALL OF THE FIREBOX, BEND BRACKETS IF NEEDED.  
 (B) THEN PLACE ONE BRICK EACH SIDE OF THE FIREBOX.  
 (C) MAKE SURE BAFFLE IS PUSHED BACK FULLY**



F3000 AU MODEL



F3000 NZ MODEL



F3000 BRICK LAYOUT			
ITEM	PART ID	DESCRIPTIONS	QUANTITY
1	993463	BAFFLE ASSY STL F3000	1
2	984838	FLANGE-BRICK RETAINER	1
3	587807	BRICK-F/B, LE2, LE3, O9	4

**BRICK & BAFFLE LAYOUT FOR  
 F3000 HARDWOOD & SOFTWOOD MODELS**